

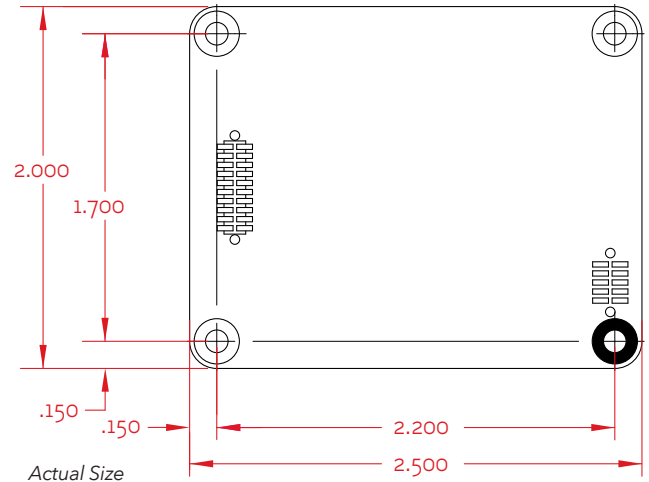
MX-7™

Masimo rainbow SET™ OEM Board

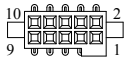

BOARD DIMENSIONS

Typical	Board Dimensions
2.0 inch	Width
2.5 inch	Length
0.062 inch	Thickness
0.2 inch	Top Height
0.1 inch	Bottom Height
0.125 inch	Mounting Hole Ø

BOARD OUTLINE - TOP VIEW



CONNECTOR DATA

Connector Description	Power and Communications Connector	Sensor Connector
Number of Pins	10	20
Configuration	2 rows of 5	2 rows of 10
Angle	Vertical	Vertical
Pin Grid	0.050 inch	0.050 inch
Manufacturer Part #	Samtec SFM-105-02-S-D-A 	Samtec SFML-110-T2-S-D-A 

DC POWER REQUIREMENTS

	Typical	Maximum
Input Voltage	+5V	±0.25V
Line/Load Regulation		1.0% rms
Avg. Power (rainbow SET [®])	235 mW	425 mW
Avg. Power (Masimo SET [®])	< 125 mW	-

SERIAL INTERFACE

	Default	Maximum
Baud Rate (configurable)	9600 bps	115200 bps

Caution: Federal (USA) law restricts this device to sale by or on the order of a physician. See instructions for use for full prescribing information, including indications, contraindications, warnings, and precautions.

Masimo U.S.
Tel: 1 877 4 Masimo
info-america@masimo.com

Masimo International
Tel: +41 32 720 1111
info-international@masimo.com

